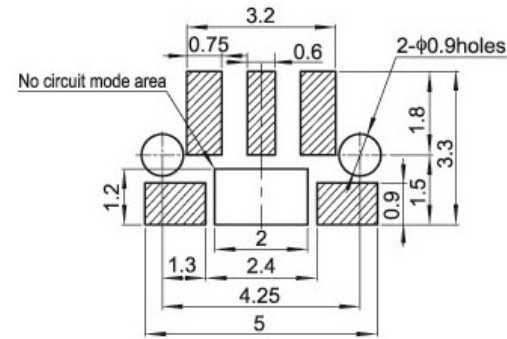
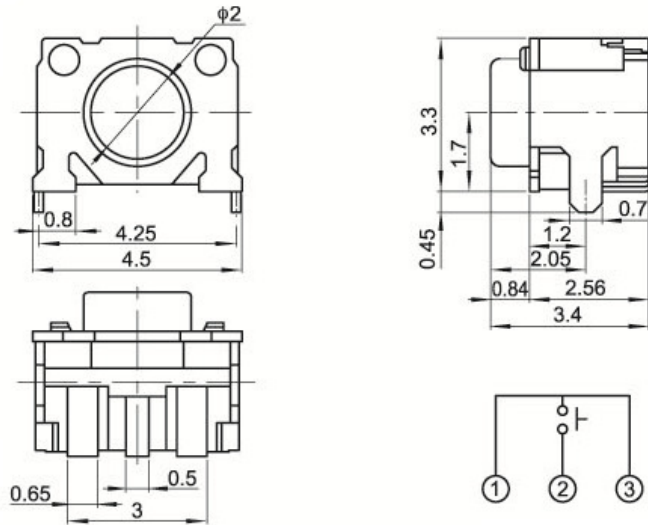


PART NUMBER: SMD-MINI-14

DESCRIPTION: 2.56X4.5X3.3mm MINI SMD TACT SWITCH SIDE PRESS

ROHS COMPLIANT

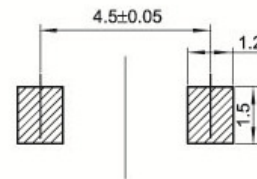
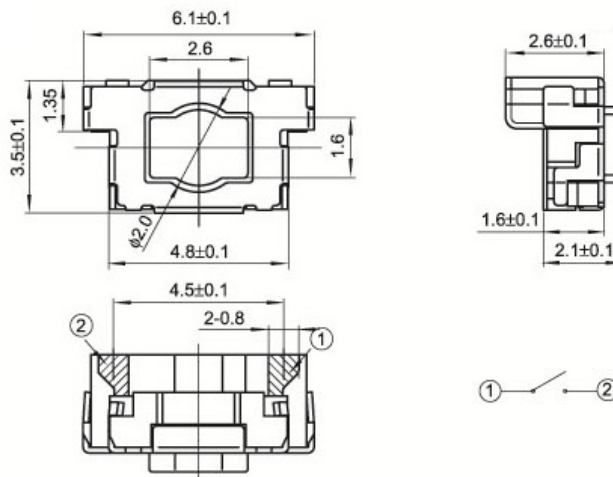


SPECIFICATIONS

Items		Standard
Operating temperature range		-30°C to +85°C
Electrical performance	Rating	50mA. 12V DC
	Insulation resistance	100M Ω min. 100V DC
	Dielectric strength	250V AC for 1 min.
	Contact resistance	500m Ω max.
Durability	Lifetime	100,000 Cycles
Mechanical performance	Operating force	160gf 250gf
	Travel	0.20 \pm 0.1mm

PART NUMBER: SMD-MINI-15

DESCRIPTION: 2.5X5.7X3.5mm MINI SMD TACT SWITCH SIDE PRESS



Dimensional tolerance +/- 0.2mm